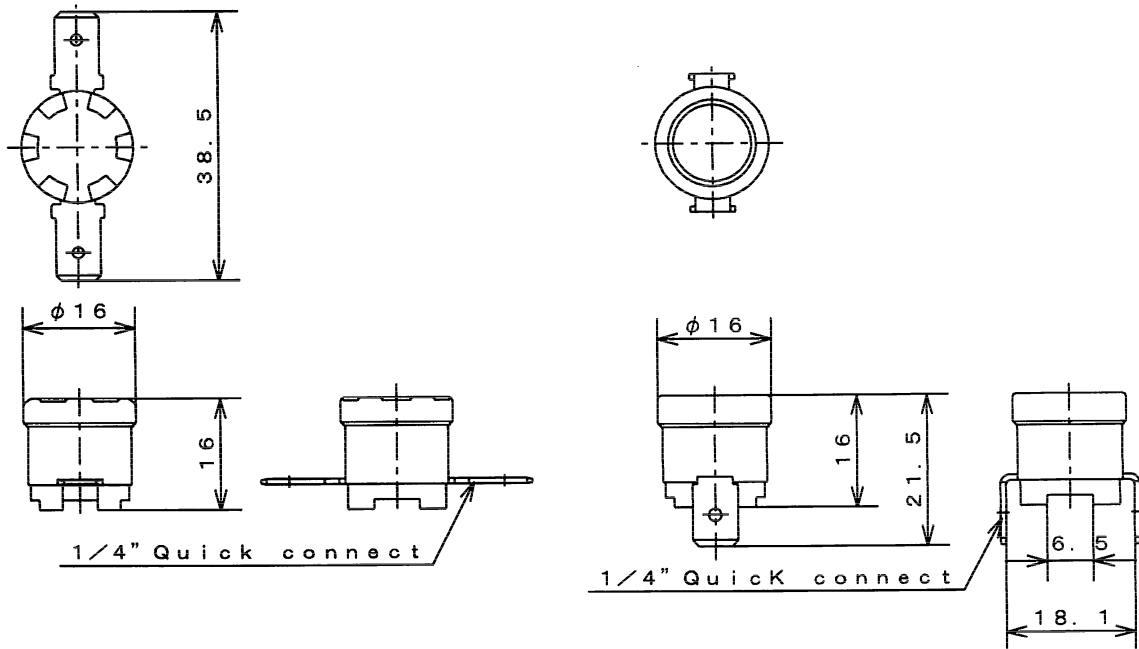


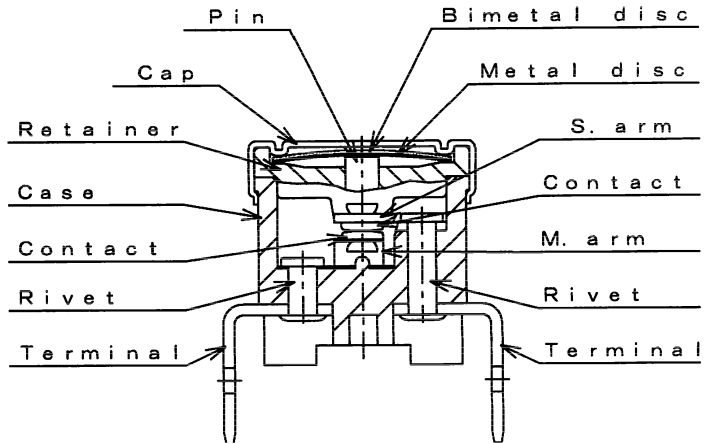
Single Operation Device
Very High Temp. Type

Type **87N**

UL·CSA·VDE
Recognized



| Part | Material |
|-----------|------------------------|
| Cap | Aluminum |
| | Copper |
| | Stainless steel |
| Case | Ceramic |
| M.arm | Beryllium Copper alloy |
| Terminals | Brass, Steel |
| Bracket | Stainless steel |
| Contacts | Silver-Nickel alloy |



| Item | Specification |
|--------------------------|--|
| 1. Basic features | SPST Single Operation Device |
| 2. Operation | A : Contacts open on temperature rise |
| 3. Electrical rating | AC250V/16A |
| 4. Calibration method | Hot & cold air circulation system |
| 5. Temperature rating | Operating temperature Max. 270°C Non Resetting |
| 6. Insulation resistance | Not less than 1,000MΩ/DC500V |
| 7. Dielectric strength | Not less than AC1,500V/1min. or AC1,800V/1sec. |

UL 8730-1, -2-9, C-UR
DIN EN 60730-1, -2-9

UL File No. E201152
VDE Licence No. 40012255, 40004144